

Care Instructions

1. Ensure guy ropes are out at all times during use
2. Never pack your tent away wet. If you must take your tent down when wet, ensure that it is dried completely as soon as possible to prevent mildew forming
3. If mildew does form on your tent, wash off with warm water and a soft brush to prevent further growth, do not use soap or detergents
4. Do not use an open flame inside your tent. The fabric has been treated with a fire retardant but is in no way fire proof
5. Clean all pegs and poles before storing
6. This tent is not designed to withstand storm conditions. During strong winds, it is recommended that the tent be taken down
7. Do not leave your tent pitched unnecessarily for extended periods of time, UV light damages the fly and will shorten the life of your tent

Condensation

It is important that lower vents are opened at all times to reduce the risk of condensation. During humid or damp conditions, it is recommended that inner door cover is opened to expose the mesh layer to allow additional airflow throughout your tent.

Do not use foam swabs or non bonded mats directly on the tent floor. This will cause condensation between the mat and floor and if not dried out can lead to mildew forming.

2 Year Tent Guarantee

Please take time to read about the protection we offer you

All our tents come with a guarantee designed to protect you as our valued customer. Flow Imports Ltd, the makers of Zempire Camping Equipment tents, will repair or replace this tent, at their discretion, should it fail due to faulty materials or manufacture for a period of 2 years from the date of sale.

The Guarantee is subject to the following conditions:

1. The Guarantee only applies to an original purchaser who purchased this tent from an approved retail outlet
2. The Guarantee does not apply if the tent has been used for anything other than reasonable personal camping use. Commercial use (e.g. rental) or continuous use as a residence are expressly excluded
3. Damage due to normal wear and tear, accident, acts of God, negligence (other than by Flow Imports Ltd), failure by the purchaser to ensure instructions for setting up and care are observed, deterioration due to abnormal exposure to ultraviolet light, insect or mildew attack, or any other cause reasonably beyond the control of Flow Imports Ltd are not covered
4. If redress is sought under the terms of this Guarantee, then the tent must be returned by the purchaser to the outlet from where it was purchased within the Guarantee period, in a clean, dry state and with proof of purchase
5. All transport costs and any other indirect costs are excluded from the Guarantee.
6. Flow Imports Ltd reserves the right to make a reasonable charge for repairs which it determines are not within the scope of the Guarantee
7. The Guarantee does not limit, modify or exclude any rights under any law if doing so would contravene that law or make any part of this Guarantee invalid. However, Flow Imports Ltd:
a) excludes (to the extent permitted by applicable law) all conditions and warranties that might otherwise be implied; and
b) limits its liability for breach of any such condition or Guarantee that it cannot exclude together with its liability under the Guarantee, to repairing or replacing the Goods or paying the cost of having the Goods repaired or replaced (at Flow Imports' option).

This tent has been made with meticulous care and attention to detail. Providing it's properly looked after and correctly stored, it will help you enjoy all that nature has to offer for years to come.

Get out more - you owe it to yourself.

For a detailed description of all the features and specifications of this product please visit our website.

WWW.ZEMPIRECAMPING.COM

Tested in New Zealand. Made with care in China

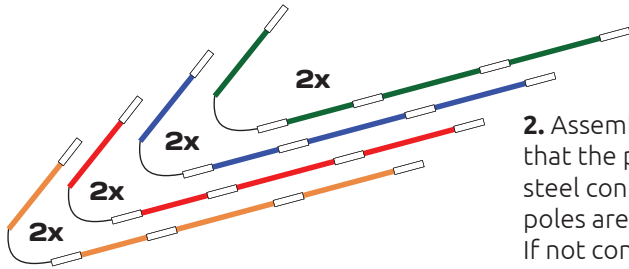
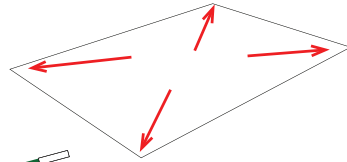
zempire
CAMPING EQUIPMENT

NEO 10
zempire
CAMPING EQUIPMENT

NEO SERIES

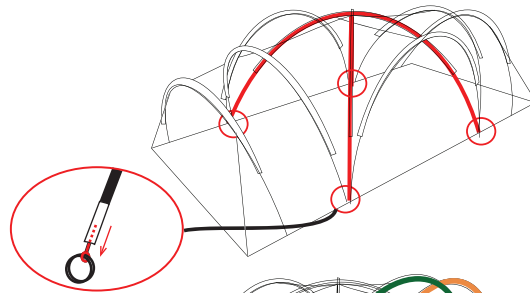


1. Clear your site making sure there are no sharp objects where you are going to pitch your tent. Try to get a site that is as flat as possible. Lay out the inner (white) tent, the round door is located at the front and rear. The tent is symmetrical.

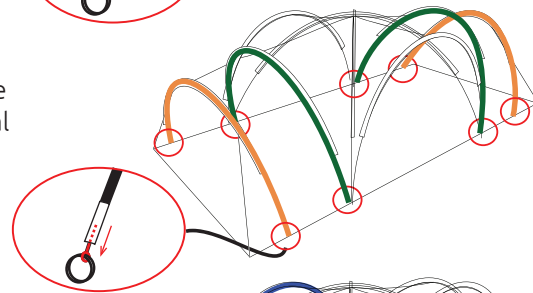


2. Assemble the 8 pole sections. Ensure that the poles are inserted fully into the steel connectors. It is important that the poles are fully inserted into the ferrules. If not connected correctly they can cause damage when tensioned.

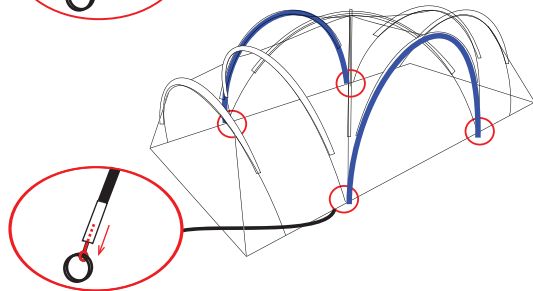
3. Thread the **RED** poles through the pole sleeves that run diagonally across the center of the tent. Insert the pole ends into the pins located on the steel rings at the base of the tent. Attached the c-clips around the poles.



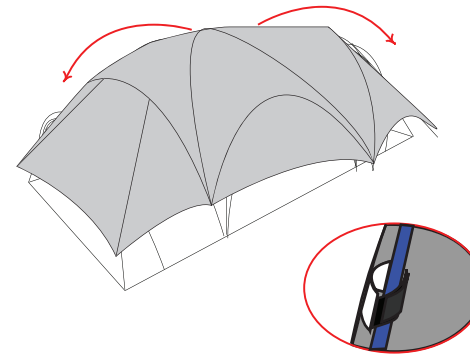
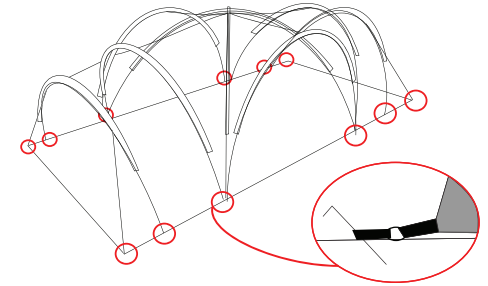
4. Thread the **GREEN** poles through the pole sleeve on either side of the central dome. The repeat with the **YELLOW** poles at each end of the tent. Insert the pole ends into the pins located on the steel rings at the base of the tent. Attached the c-clips around the poles.



5. Thread the **BLUE** poles through the pole sleeve at the front and rear of the tent. Insert the pole ends into the pins located on the steel rings at the base of the tent. Attached the c-clips around the poles.

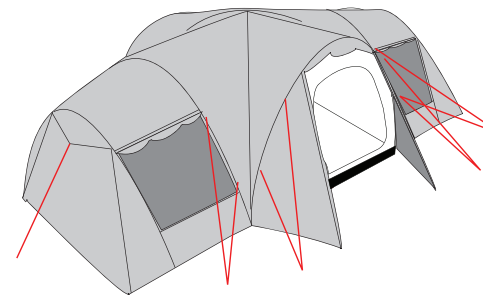
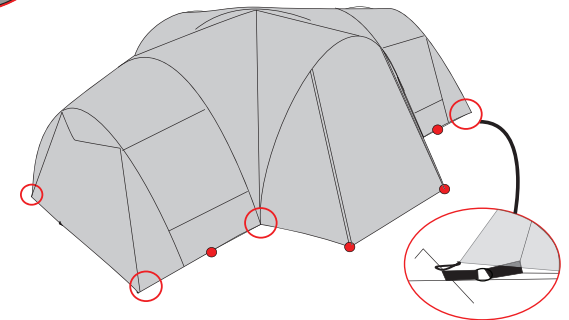


6. Peg out all the peg points around the inner tent. The peg points at the base of each pole should be pegged through the webbing loop rather than the steel ring.



7. Pull the fly over the inner tent. The Zempire logo should be at the front and rear of the tent. Connect the velcro loops inside the fly around the cut outs on the corresponding pole sleeve.

8. Attach the elastic loop over the existing inner pegs. Where there is no existing peg, peg the fly directly into the ground ensuring there is significant space between the inner and fly.



9. It is recommended that guy ropes are pegged out at all times and windows are opened whenever possible to allow adequate ventilation. Try to have the guy ropes at 45° angle to the ground.