

WARRANTY & CARE

3 Year Tent Guarantee

Please take time to read about the protection we offer you.

All our tents come with a guarantee designed to protect you as our valued customer. Flow Imports Ltd., the makers of ZEMPIRE® Camping Equipment tents, will repair or replace this tent, at their discretion, should it fail due to faulty materials or manufacture for a period of 3 years from the date of sale. The Guarantee is subject to the following conditions:

1. The Guarantee only applies to an original purchaser who purchased this tent from an approved retail outlet.
2. The Guarantee does not apply if the tent has been used for anything other than reasonable personal camping use. Commercial use (e.g. rental) or continuous use as a residence are expressly excluded.
3. Damage due to normal wear and tear, accident, acts of God, negligence (other than by Flow Imports Ltd.), failure by the purchaser to ensure instructions for setting up and care are observed, deterioration due to abnormal exposure to ultraviolet light, insect or mildew attack, or any other cause reasonably beyond the control of Flow Imports Ltd. are not covered.
4. If redress is sought under the terms of this Guarantee, then the tent must be returned by the purchaser to the outlet from where it was purchased within the Guarantee period, in a clean, dry state and with proof of purchase.
5. All transport costs and any other indirect costs are excluded from the Guarantee.
6. Flow Imports Ltd. reserves the right to make a reasonable charge for repairs which it determines are not within the scope of the Guarantee.
7. The Guarantee does not limit, modify or exclude any rights under any law if doing so would contravene that law or make any part of this Guarantee invalid. However, Flow Imports Ltd.:
 - a) excludes (to the extent permitted by applicable law) all conditions and warranties that might otherwise be implied; and
 - b) limits its liability for breach of any such condition or Guarantee that it cannot exclude together with its liability under the Guarantee, to repairing or replacing the goods or paying the cost of having the goods repaired or replaced (at Flow Imports' option).

This tent has been made with meticulous care and attention to detail. Providing it's properly looked after and correctly stored, it will help you enjoy all that nature has to offer for years to come.

Care Instructions

1. Ensure guy ropes are out at all times during use.
2. Never pack your tent away wet. If you must take your tent down when wet, ensure that it is dried completely as soon as possible to prevent mildew forming.
3. If mildew does form on your tent, wash off with warm water and a soft brush to prevent further growth, do not use soap or detergents.
4. Do not use an open flame inside your tent. The fabric has been treated with a fire retardant but is in no way fire-proof.
5. Clean all pegs and poles before storing.
6. This tent is not designed to withstand storm conditions. During strong winds, it is recommended that the tent be taken down.
7. Do not leave your tent pitched unnecessarily for extended periods of time. UV light damages the fly and will shorten the life of your tent.

Get out more – you owe it to yourself!



PITCHING INSTRUCTIONS



PITCHING INSTRUCTIONS

1. Test Run

Practice pitching your tent at home to ensure you understand the process.

2. Pick A Site

When finding a site for your tent, try to find an area that is sheltered, flat, and free from sharp objects. If possible, position your tent with the front door facing away from the prevailing wind. Also, try not to pitch your tent under trees as falling branches can damage the tent and falling sap can damage the fabric.

3. Unpacking

When you take your tent out for the first time, take a moment to see how it is packed or take a photo with your phone. This will help you when it comes to packing your tent away. Separate and identify the different parts included with your tent. The package should include the following:

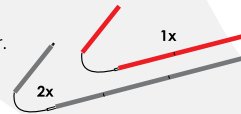
- Tent Fly
- Tent Inner
- Grey Poles (x2)
- Red Pole (x1)
- Guy Ropes (Pre-attached)
- Pegs
- Pole Repair Splint

4. Layout

Unroll the inner-tent with the floor facing down and locate the front entry door. Orient the tent in the correct position on your site. Peg out the 4 corners of the tent floor, ensuring there is tension between each point and that the floor sits as flat as possible. For best results, pegs should be angled away from your tent at 45°.

5. Pole Setup

Assemble the 3 pole sections. Ensure that the poles do not snap together. It is important that the poles are fully inserted into the ferrules. If not inserted correctly, they can cause damage when tensioned.

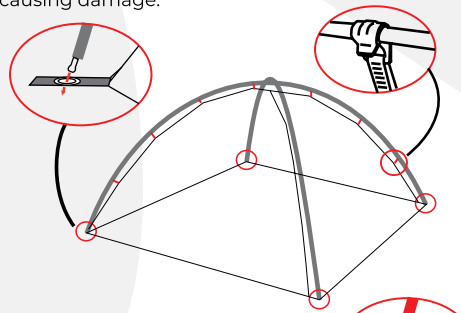


6. Mesh Doors

It is important that the mesh doors remain closed during the pitching process to ensure the tent holds its correct shape and is not over tightened, causing damage.

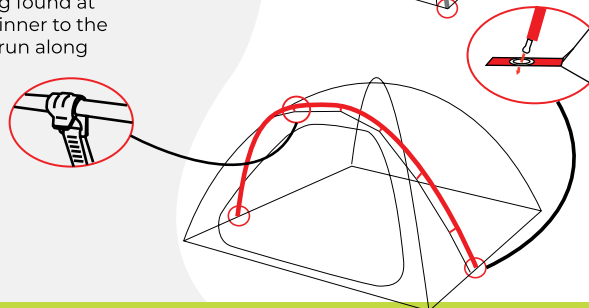
7. Insert the GREY Poles

Insert the pole ends of the two longer GREY poles into the eyelets in the GREY webbing found at each corner of the inner. Connect the inner to the frame by attaching the c-clips that run along the main cross-seams of the inner tent.



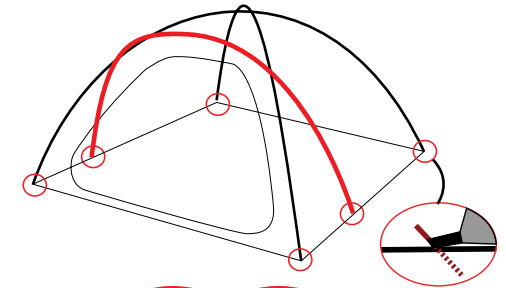
8. Insert the RED Pole

Insert the pole ends of the remaining RED pole into the eyelets on the RED webbing found at each side of the inner. Connect the inner to the frame by attaching the c-clips that run along the front seam of the inner tent.



9. Setting the Floor

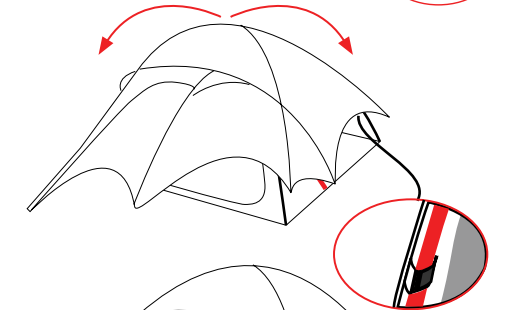
It may be necessary to align the base of each pole so that the floor sits flat and taut. You may also need to realign the corner pegging points so the floor sits flat. At this point, it helps if the mesh doors are completely closed when pegging out the front of the tent.



10. Attach the Fly

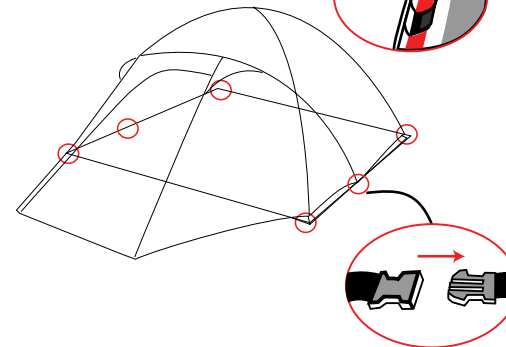
Throw the flysheet over the inner and fasten the velcro ties (found on the inside of the fly) around the pole lines. Connect the fly to the inner by attaching the side release buckles at the end of each pole line.

The webbing on the fly is colour coded to match the webbing on the tent inner to help you orient the fly correctly.



11. Pegging

Peg the remaining peg loops around the tent. Aluminium tri-pegs are included with your tent which will be suitable for the majority of conditions. However, if you plan to camp at a rocky or loose sandy location, you may wish to purchase more specialised pegs. A range of specialised ZEMPIRE® Pegs are available from your local dealer.



12. Guy Ropes

Guy ropes are pre-attached on all ZEMPIRE® Tents. It is recommended that guy ropes are used at all times. It is important not to over-tighten guy lines. They should sit taut but should not distort the shape of the tent.

UV Degradation

Tent fabrics can be weakened by prolonged exposure to sunlight. Under normal holiday use, your ZEMPIRE® tent will give you many years of camping enjoyment. However, extended use in strong sunlight will cause degradation. UV degradation is not covered under warranty. The warranty does not cover permanent sites, displays or commercial use.

Condensation

It is important that lower vents are opened at all times to reduce the risk of condensation. During humid or damp conditions, it is recommended that the waterproof door covers are opened to expose the mesh layer, enabling additional airflow throughout your tent.

Do not use foam swabs or non-bonded mats directly on the tent floor. This will cause condensation between the mat and floor and if not dried out, can lead to mildew forming.

Please turn page for Care Instructions and Warranty.

WARNING
KEEP ALL FLAME AND
HEAT SOURCES AWAY
FROM THIS TENT FABRIC